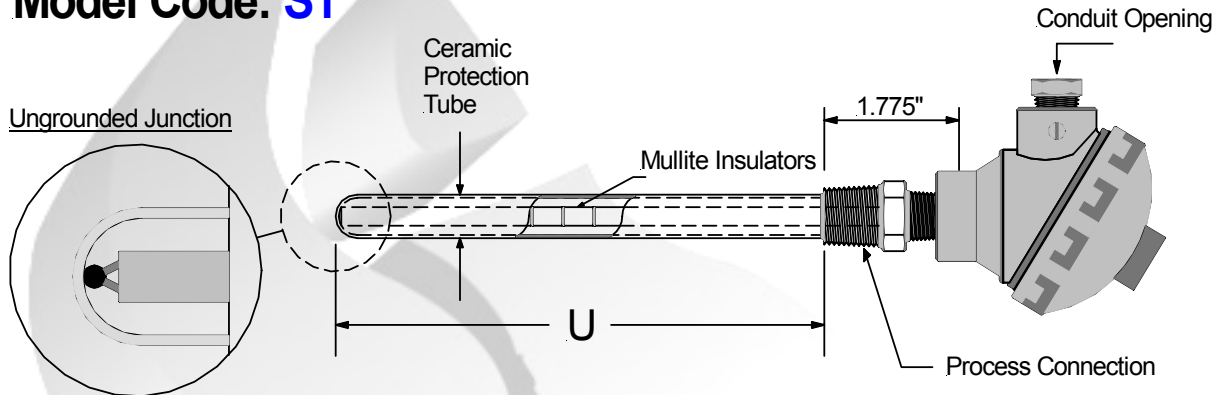


INDUSTRIAL THERMOCOUPLES

Base Metal Thermocouple & Ceramic Protection Tube Assembly

Model Code: S1



Model:

S1

A B C D E F G H I

A	Ceramic Tube Size
A	1/4" O.D.
B	3/8" O.D.
C	1/2" O.D.
D	11/16" O.D.
E	1" O.D.

B	Protection Tube
1	Alumina 1800C Max.
2	Mullite 1600C Max.

C	"U" Dimension
	Specify "U" Length In Inches <u>06</u>

Example "U" is 6" = 06

D	Calibration
	Standard Limits of Error
A	J
B	K
	Special Limits of Error
C	J
D	K

E	Wire Size		
	Gage	Single	Dual
	8	1	4
	14	2	5
	20	3	6

F	Process Connection
1	None
2	1/2" NPT
3	3/4" NPT
4	1" NPT

G	Connection Head Model
A	None, 3" Split Leads
B	Cast Aluminum: Standard
C	Cast Aluminum: Mini
D	Black Nylon Head
E	Cast Iron: Standard Size
F	316 Stainless Steel
G	Explosion Proof

H	Conduit Opening
1	None
2	1/2" NPT
3	3/4" NPT

I	Connection Head Options
N	None
B	No Terminal Block
T	4-20mA Transmitter

Nordic Sensors Ind. Inc. Tel: 1-888-667-3421 & Fax: 1-888-867-9986.